

**P.T.O. three-phase tractor alternators IP23**

**IP 23**

**1. Three-phase synchronous brushes alternators - 2 poles - 3000rpm - cosφ 0.8**

Three-Phase	50Hz	Sincro alternator	Tractor HP on PTO *	Power Take Off	Weight	Control panel	Price in EURO (ex. VAT)
TYPE	kVA		HP	rpm	kg		
AWT2-13	13.5	FT2MES	27	430	116	AT01	on request
AWT2-16	16	FT2MFS	32	430	125	AT01	on request
AWT2-22	22	GT2MAS	45	430	144	AT02	on request
AWT2-27	27	GT2MBS	53	430	149	AT03	on request
AWT2-31	31.5	GS2LAS	62	430	189	AT03	on request
AWT2-38	38	GS2LBS	73	430	205	AT03	on request

**2. Three-phase synchronous brushes alternators - 4 poles - 1500rpm - cosφ 0.8**

Three-Phase	50Hz	Sincro alternator	Tractor HP on PTO *	Power Take Off	Weight	Control panel	Price in EURO (ex. VAT)
TYPE	kVA		HP	rpm	kg		
AWT4-17	17.5	GT4MES	35	430	146	AT02	on request
AWT4-22	22	GT4MFS	43	430	157	AT02	on request
AWT4-27	27	GS4LES	52	430	200	AT03	on request
AWT4-30	30	GS4LFS	57	430	215	AT03	on request

**3. Brushless three-phase synchronous alternators with AVR - 4 poles - 1500rpm - cosφ 0.8**

Three-Phase	50Hz	Sincro alternator	Tractor HP on PTO *	Power Take Off	Weight	Control panel	Price in EURO (ex. VAT)
TYPE	kVA		HP	rpm	kg		
AWB4-17	17.5	HB4SBR	35	430	177	AT05	on request
AWB4-22	22	HB4 CAR	44	430	190	AT05	on request
AWB4-25	25	IB4SA	49	430	205	AT06	on request
AWB4-30	30	IB4SB	59	430	228	AT06	on request
AWB4-36	36	IB4MA	69	430	245	AT06	on request
AWB4-45	45	IB4MB	80	430	258	AT06	on request
AWB4-50	50	IB4LA	93	430	298	AT07	on request
AWB4-65	65	SK225SM	118	400	335	AT07	on request
AWB4-80	80	SK225MS	139	400	362	AT07	on request
AWB4-93	93	SK225MM	165	400	382	AT07	on request

\* min. suggested tractor HP on PTO, for 50Hz and at specified PTO rpm.

Options	Price in EURO (ex. VAT)
Over and under voltage protection mounted on the PTO as from 27kVA	on request
60Hz/3600rpm/1800rpm instead of 50Hz/3000rpm/1500rpm	on request
Special control panels on demand	on request

Control panel	
<b>TYPE</b>	
AT01	1 CEE socket 230V - 16A - 3 poles + 1 CEE socket 400V - 32A - 5 poles + earth leakage breaker (30mA) and 4 poles thermal magnetic breaker + single phase thermal protection + voltmeter + frequency meter
AT02	1 CEE socket 230V - 16A - 3 poles + 1 CEE socket 400V - 32A - 5 poles + earth leakage breaker (30mA) and 4 poles thermal magnetic breaker and 2 poles thermal magnetic breaker + V/A/Hz-meter + h-counter
AT03	1 CEE socket 230V - 16A - 3 poles + 1 CEE socket 400V - 63A - 5 poles + earth leakage breaker (30mA) and 4 poles thermal magnetic breaker and 2 poles thermal magnetic breaker + V/A/Hz-meter + h-counter
AT04	1 schuko socket 230V - 16A + 1 CEE socket 230V - 16A - 3 poles + 1 CEE socket 400V - 32A - 5 poles + earth leakage breaker (30mA) and 4 poles thermal magnetic breaker + 2 single phase thermal protections + V/A/Hz-meter + h-counter
AT05	1 schuko socket 230V - 16A with thermal protection + 1 CEE socket 230V - 32A - 3 poles + 1 CEE socket 400V - 32A - 5 poles + earth leakage breaker (30mA) and 4 poles and 2 poles thermal magnetic breaker + V/A/Hz-meter + h-counter
AT06	1 schuko socket 230V - 16A + 1 CEE socket 230V - 32A - 3 poles + 1 CEE socket 400V - 63A - 5 poles + earth leakage breaker (30mA) and 4 poles and 2 poles thermal magnetic breaker + single phase therm. prot. + V/A/Hz-meter + h-counter
AT07	1 schuko socket 230V - 16A + 1 CEE socket 230V - 32A - 3 poles + 1 CEE socket 400V - 125A - 5 poles + earth leakage breaker (30mA) and 4 poles and 2 poles thermal magnetic breaker + single phase therm. prot. + V/A/Hz-meter + h-counter



Special control panels

**P.T.O. three-phase tractor alternators IP44**

**IP 44**

**1. Three-phase synchronous brushes alternators - 2 poles - 3000rpm - cosφ 0.8**

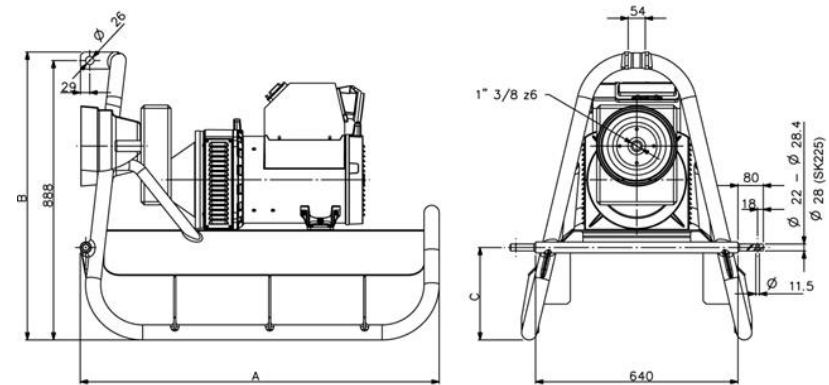
Three-Phase	50Hz	Sincro alternator	Tractor HP on PTO *	Power Take Off	Weight	Control panel	Price in EURO (ex. VAT)
TYPE	kVA		HP	rpm	kg		
AWT2-12X	12,1	FT2MES	24	430	117	AT01	on request
AWT2-14X	14,4	FT2MFS	28	430	126	AT01	on request
AWT2-19X	19,8	GT2MAS	40	430	147	AT02	on request
AWT2-24X	24,3	GT2MBS	48	430	152	AT02	on request
AWT2-28X	28,3	GS2LAS	55	430	192	AT03	on request
AWT2-34X	34,2	GS2LBS	65	430	208	AT03	on request

**2. Three-phase synchronous brushes alternators - 4 poles - 1500rpm - cosφ 0.8**

Three-Phase	50Hz	Sincro alternator	Tractor HP on PTO *	Power Take Off	Weight	Control panel	Price in EURO (ex. VAT)
TYPE	kVA		HP	rpm	kg		
AWT4-15X	15,7	GT4MES	31	430	149	AT02	on request
AWT4-19X	19,2	GT4MFS	39	430	160	AT02	on request
AWT4-24X	24,3	GS4LES	46	430	203	AT02	on request
AWT4-27X	27	GS4LFS	50	430	218	AT03	on request

**3. Brushless three-phase synchronous alternators with AVR - 4 poles - 1500rpm - cosφ 0.8**

Three-Phase	50Hz	Sincro alternator	Tractor HP on PTO *	Power Take Off	Weight	Control panel	Price in EURO (ex. VAT)
TYPE	kVA		HP	rpm	kg		
AWB4-15X	15,8	HB4SBR	32	430	180	AT05	on request
AWB4-19X	19,8	HB4CAR	39	430	192	AT05	on request
AWB4-22X	22,5	IB4SA	44	430	208	AT06	on request
AWB4-27X	27	IB4SB	53	430	230	AT06	on request
AWB4-32X	32,4	IB4MA	61	430	248	AT06	on request
AWB4-40X	40,5	IB4MB	72	430	261	AT06	on request
AWB4-45X	45	IB4LA	83	430	301	AT06	on request
AWB4-58X	58,5	SK225SM	105	400	339	AT07	on request
AWB4-72X	72	SK225MS	124	400	366	AT07	on request
AWB4-83X	83,7	SK225MM	147	400	386	AT07	on request



\* min. suggested tractor HP on PTO, for 50Hz and at specified PTO rpm.

		Price in EURO (ex. VAT)
<b>Options</b>	Over and under voltage protection mounted on the PTO as from 27kVA	on request
	60Hz/3600rpm/1800rpm instead of 50Hz/3000rpm/1500rpm	on request
	Special control panels on demand	on request

TYPE	A (mm)	B (mm)	C (mm)
FT / GT / FB	929	915	294
GS / HB / IB	1135	915	294
SK225	1204	923	324,5